

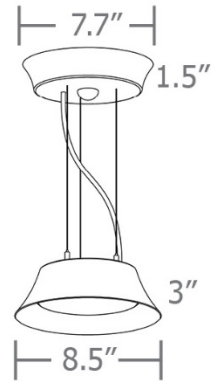
## fl.air™ 5-slider

your lighting rep has  
recommended the **fl.air™**  
pendant for your project  
Let's take a quick look:

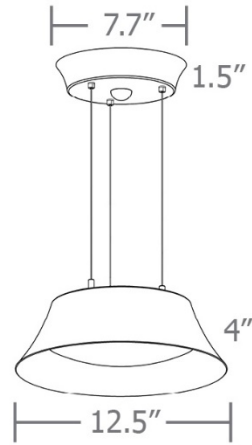


## sizes and lumens

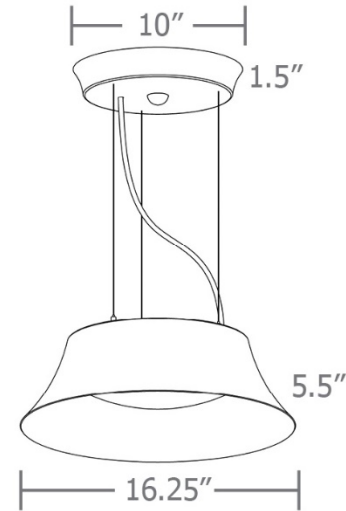
**P5808**



**P5812**



**P5816**



- P5808 (8") / 1015 – 2000 lm
- P5812 (12") / 1515 – 3030 lm
- P5816 (16") / 2000 – 4000 lm



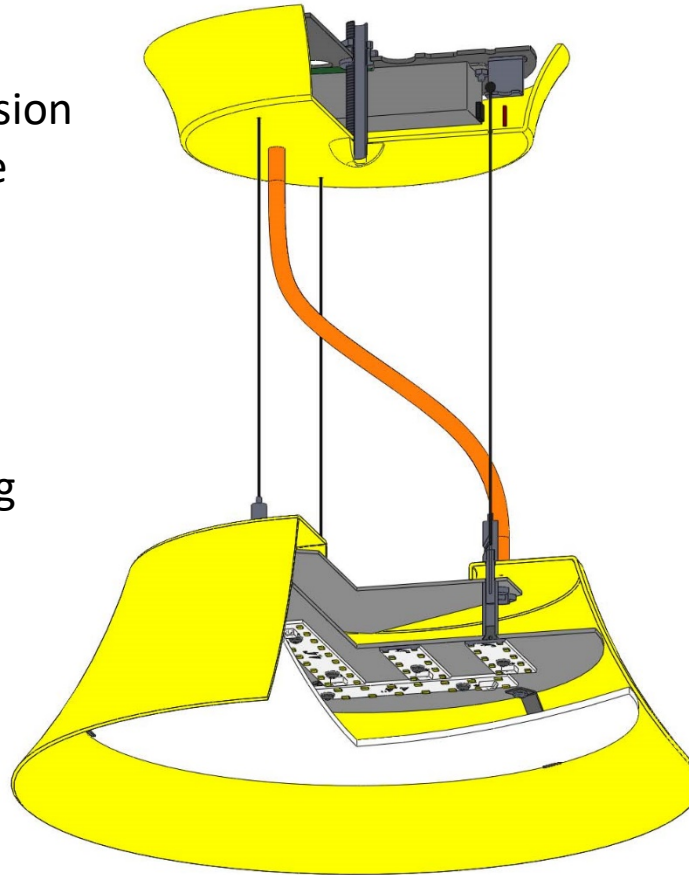
# construction

canopy mounted programmable driver, constant current, universal input (120-277v), field maintainable, 0-10v controllable to 1% dimming.

optional (POC) power over cable suspension system provides a clean look without the need for a separate power cord

precision CNC spun aluminum outer housing

metal core LED boards held in place mechanically for easy maintenance



spun aluminum canopy painted to match fixture holds three ultra-thin vertical stainless steel cables with field adjustable micro-grippers for exact AFF mounting height

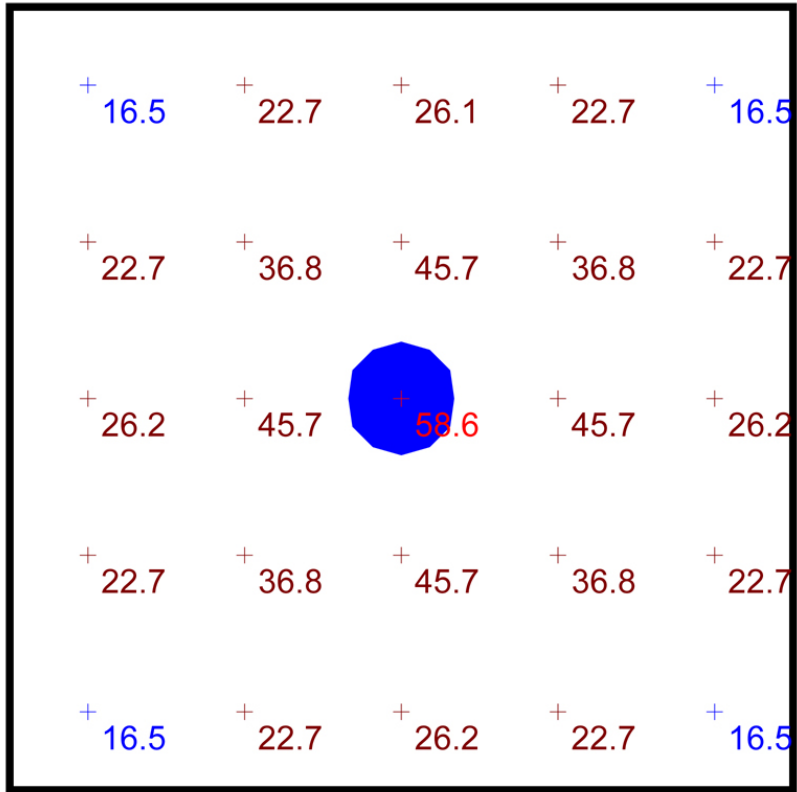
(shown here) color cloth power cord in blue, orange, purple, red or white & gray dot

21 standard powder coat paint finishes + custom RAL colors

.125" Satinice WD855 light scattering, glare reduction acrylic diffuser, removable for maintenance of LED boards

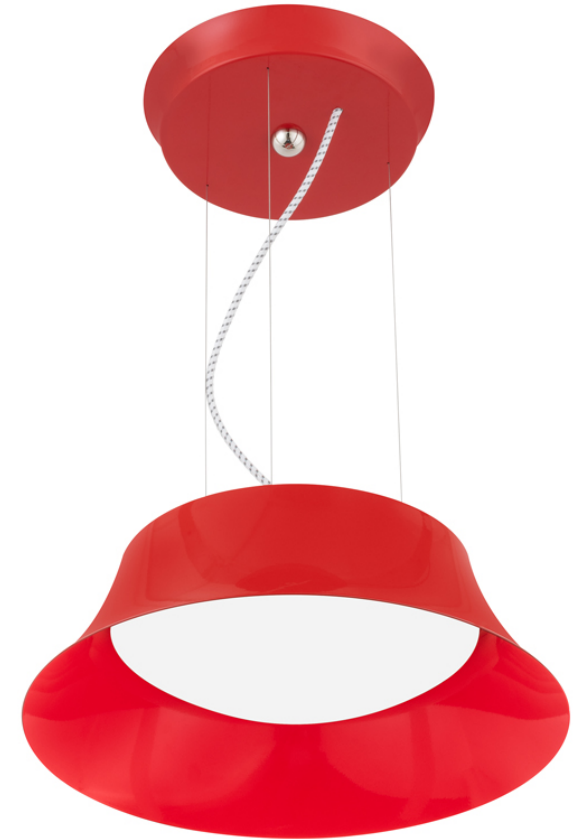
# performance

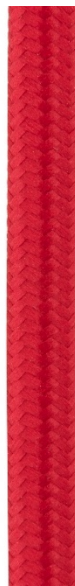
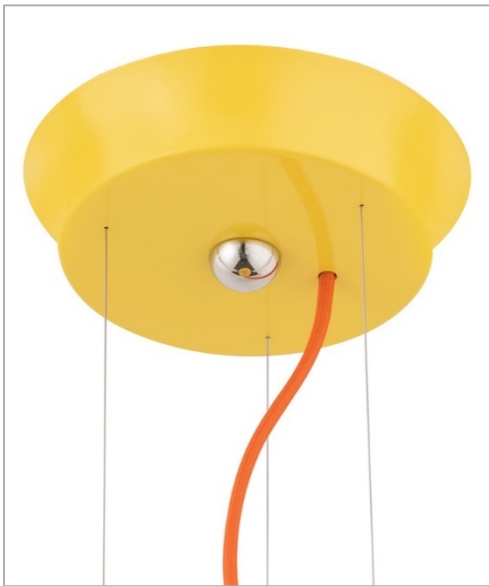
Statistics						
Description	Symbol	Avg	Max	Min	Max/Min	Avg/Min
fl.air	+	29.6 fc	58.6 fc	16.5 fc	3.6:1	1.8:1



Plan View  
Scale - 1" = 2ft

- 10' x 10' x 10'H space
- 80/50/20 reflectances
- bottom of fixture at 8' aff
- FC readings at 2.5' aff
- layout conducted using P5816 HI lumen package (4000 direct delivered lumens)





Powder Coat Paint Finishes		
MW matte white	CP champagne	YO yellow 1018
TW textured white	BZ bronze	RD red 3020
AP anodized paint	BS brass	BU blue 5017
SS satin silver	GM gun metal	OR orange 2011
TG textured gray	BR brick red	MN mint 6019
FB flat black	BN brown 8023	GR green 6018
SB satin black	MB military blue	PL purple 4005

[www.impact!tg.com](http://www.impact!tg.com)

- spec sheet and color chart
- photometric files and BIM models
- built to order in Saint Louis, MO, USA
- 4-week lead time

fl.air™ 5-slider

